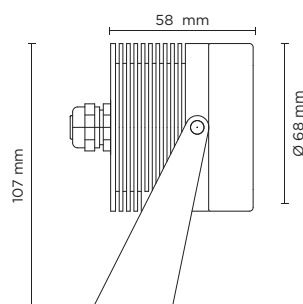




301003

## SCUBA MINI

Small underwater projector, surface mounted, completely made in stainless steel AISI 316L, silicone o-rings, 350/500mA remote driver needed, with 4 CREE XP-G3 LED. IP 68 rating.



### Technical features



### Technical data

Wattage	6 WATT
IP Rating	IP68 - 3 METERS DEPTH
IK Rating	IK08
Material	Completely made in stainless steel AISI 316 L marine grade
Trim	Stainless steel AISI 316 L marine grade
Light source	NR. 4 x 1.5W CREE "XP-G3" LED
Screws	Stainless steel
Remote driver	350/500 mA NEEDED
Gasket	Silicone rubber
Glass	Tempered
Cable gland	M12 made in stainless steel AISI 316
Power cable	8 mt. neoprene power cable included
Adjustable through	200°
Gross weight	2,00 Kg

light source	light beam options	lumen output (lm)	lumin. efficacy (lm/w)
<b>3000°K warm-white</b>			
high-power led	10°	576	96.00
high-power led	30°	548	91.34
<b>4000°K neutral-white</b>			
high-power led	10°	600	100.00
high-power led	30°	570	95.00

### Finish color options:

Stainless Steel

### remote driver selection

brand	manufacturer code	type	watt	IP rate	numbers of fixtures
TCI Italy	122356	constant voltage 500 MA	12W	IP20	1
TCI Italy	122204	constant voltage 350 MA/ 500 MA	25W - 35W	IP20	min 1 - max 4
Meanwell	LPC-20-350	constant voltage 350 MA	16.8W	IP67	min 1 - max 2
Meanwell	LPC-20-700	constant voltage 700 MA	21W	IP67	min 1 - max 2
Meanwell	LPF-25-48	constant voltage 530 MA	25W	IP67	min 3 - max 4

AC 024 - SPIKE FOR SCUBA MICRO/MINI

